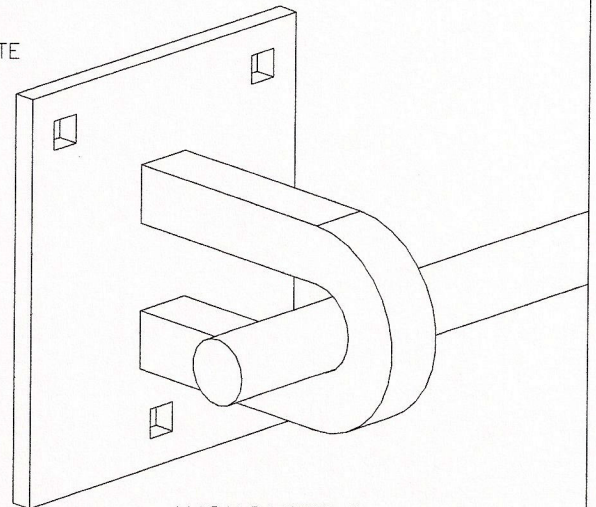


1/2" X 1/2" SQ.  
HOLES - TYP. OF 3

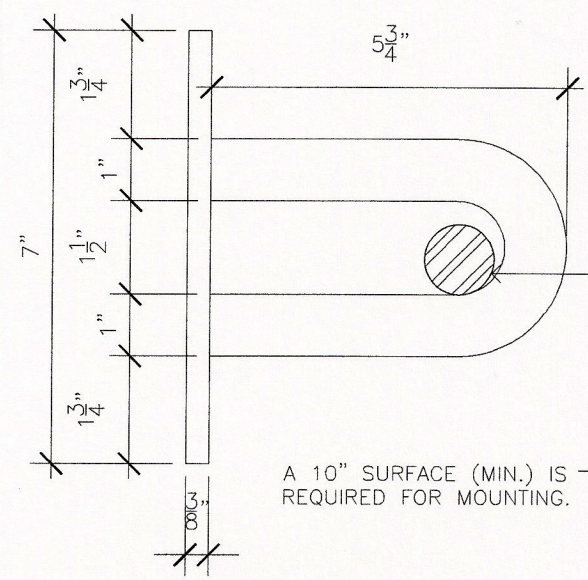
HORSESHOE

HEADER PLATE



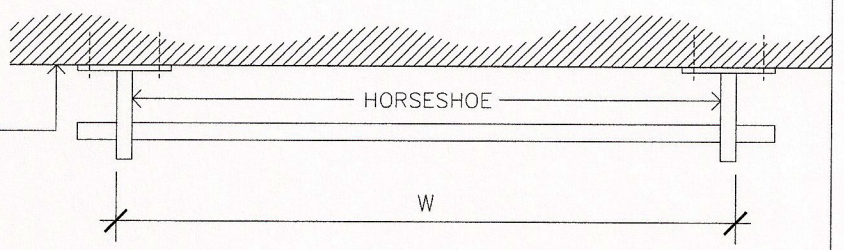
3 AXONOMETRIC  
N.T.S.

NOTE:  
TOP OF ROD TO BE 6" MIN. FROM  
WALKING SURFACE



1 1/8" Ø ROD

A 10" SURFACE (MIN.) IS  
REQUIRED FOR MOUNTING.



2 SIDE ELEVATION  
N.T.S.

SPACING CHART	
RAMP WIDTH	W*
36"	28"
42"	34"
48"	40"

\*\*W" = OUTSIDE TO OUTSIDE OF HORSESHOE

FILE NAME: DOCKSIDE\_HINGE.DWG

www.gangways.biz  
docksrams@gangways.biz  
Tel. 207-664-2121  
Faf. 207-664-2533

***Superior Dock***  
420 Christian Ridge Rd.  
Ellsworth, Maine 04605

DOCKSIDE HINGE  
MOUNTING INSTRUCTIONS